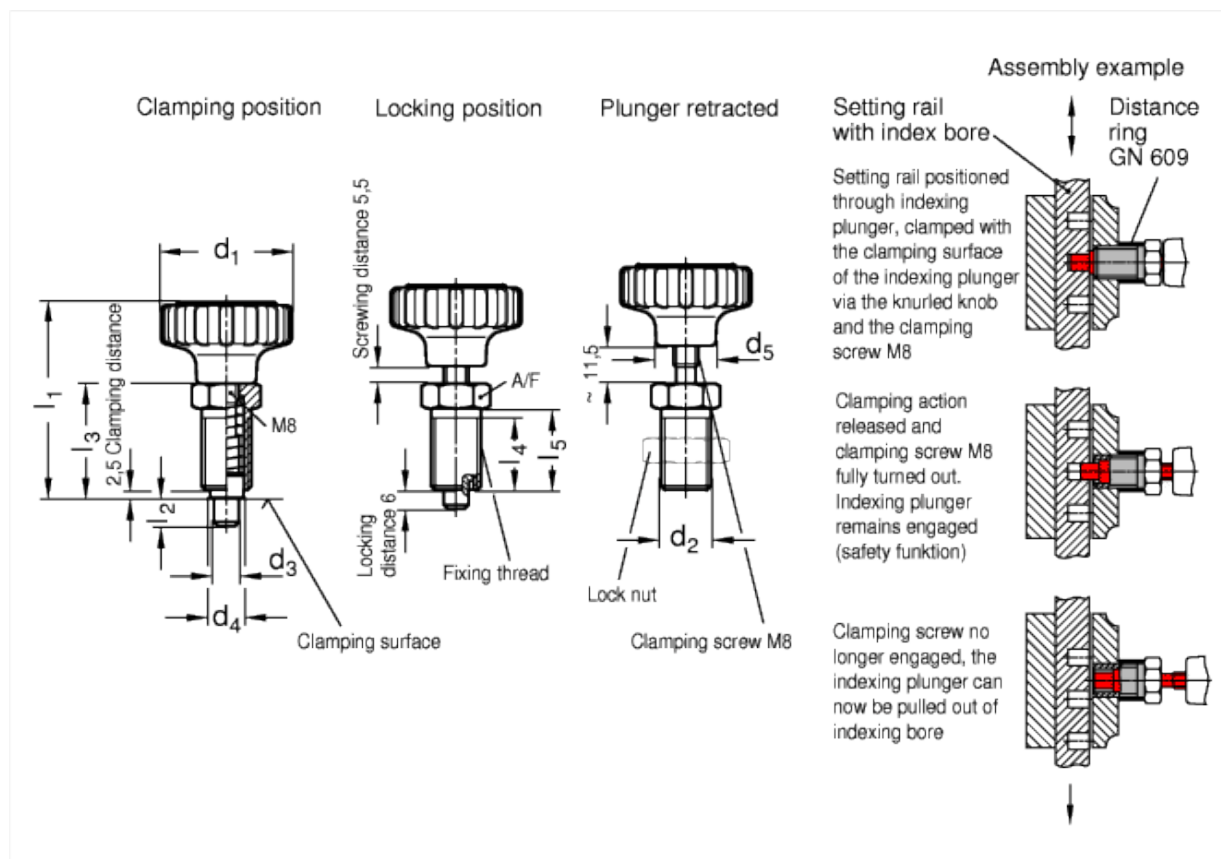


GN 7336.8

Knurled indexing plungers



technical informations

Threaded body

Zinc-plated steel, blue passivated.

Plunger

Steel, nitrided and blackened. Suggested matching hole in G7 tolerance.

Knob GN 7336

Plastic, polyamide based (PA) technopolymer, black matte.

Cover cap

Plastic, light grey.

Accessories on request

Distance bushings GN 609.

Features and applications

Knurled indexing plungers GN 7336.8 are an advanced development of the knurled knobs GN 7336.7 with indexing plunger. Like the latter, they are used for positioning, securing and clamping adjusting elements at the same time. This configuration ensures that the indexing plunger cannot be pulled from the indexing bore by turning the knurled knob, but only by deliberately pulling the handle (Safety function!).

Standard Elements	Main dimensions											Spring pressure in N \approx		Weight
Description	d ₁	d ₂	d ₃ -0.02/-0.04	d ₄	d ₅	l ₁	l ₂	l ₃	l ₄ min.	l ₅	A/F	Preload	Max. load	g
GN 7336.8-42-M16x1.5-6	42	M16x1.5	6	11	19	60	9	34	23	26	19	14	26	100
GN 7336.8-42-M16x1.5-8	42	M16x1.5	8	11	19	60	9	34	23	26	19	14	26	100
GN 7336.8-53-M16x1.5-6	53	M16x1.5	6	11	24	66	9	34	23	26	19	14	26	120
GN 7336.8-53-M16x1.5-8	53	M16x1.5	8	11	24	66	9	34	23	26	19	14	26	120



STANDARD MACHINE ELEMENTS WORLDWIDE